

# C4350S-L4



## 规格

### Product characteristics

- Integrated Intel® Celeron J4125 2.0GHz quad-core quad-thread processor
- 1\* SODIMM slot, support single channel 2400MHz DDR4 memory, maximum Maximum support 8GB
- 1\* HD OUTPUT Display output
- 4\* Intel I225 Gigabit NIC chip, support network wake up /PXE function
- 2\* RS232 DB9 serial interface, COM2 can support RS485
- 1\* 6pin Phoenix terminal (support 2 in 2 out GPIO function)
- 4\* USB3.0 interface, 1\* USB2.0 built-in
- DC 12V power input
- fanless cooling structure, all aluminum alloy material

model	<b>C4350S-L4 V1.0(J4125)</b>	
Chassis	Material/St	All aluminum al
	color	Iron Gray + Fog Silver
	Size	141.5*126*56.5MM
	Install	Desktop/Wall Mount
motherboard	CPU	Integrated Intel® Celeron J4125 2.0GHz quad-core quad-thread
	system	SOC
	Display	Integrated Intel® UHD Graphics 600 Core Graphics
	Memory	1* SODIMM slot, support single channel 2400MHz DDR4 memory,
front panel interface	POWER	1* power switch, 1* reset switch
	led	1*P.LED, 1*H.LED
	AC LOSS	1* AC LOSS (power-on toggle switch)
	display	1* HD OUTPUT1.4 interface 4096X2160@30Hz)
	USB	4* USB3.0 interface
	SIM	1* SIM standard slot
rear panel interface	LAN	4* Intel I225 2.5G Gigabit copper port, support Wake-on-LAN/PXE
	GPIO	1* 6pin Phoenix terminal (support 2 in 2 out GPIO
	COM	2* RS232 DB9 serial interface, COM2 can support RS485
	power	1* DC power interface, support DC 12V power input
	Antenna	2* Antenna hole
storage	SATA	1*2.5 inch notebook hard drive
	MSATA	1* MSATA slot, support Intel protocol SSD, transfer rate up to
expand	Mini PCIE	1* Mini-PCIE slot, support 4G module
	M.2	1* M.2 slot, support M.2 2230 WIFI



无风扇工控机

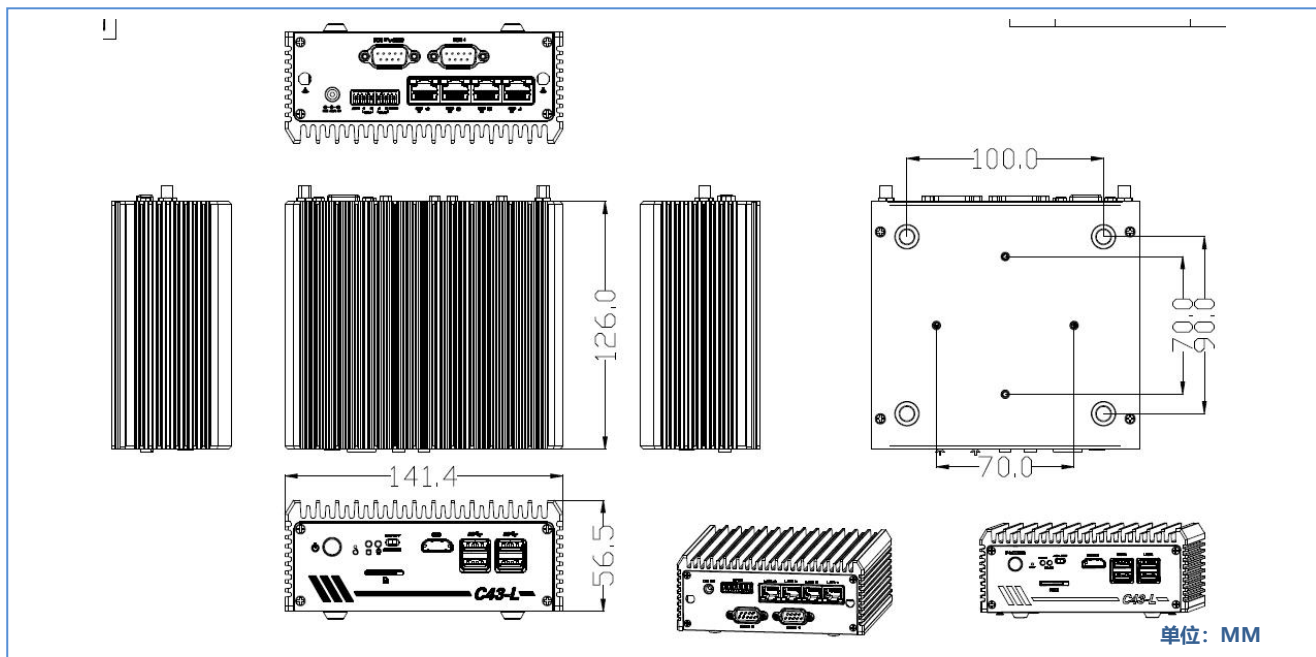
System Support	Microsoft	Windows 10
	Linux	Ubuntu
	Watch Dog	Support hardware reset function (256 levels, 0~255 seconds)
power requirements	Power	External power adapter
	Voltage	DC 12V
	power	AC TO DC, 60W
surroundings	Operating	-10°C ~ 60°C
	storage	-20°C ~ 70°C
	Relative	5%-95% relative humidity, no condensation
	work	0.5g rms/5-500HZ/random/operating



## 无风扇工控机

所有产品规格变更，均不另行通知

# C4350S-L4尺寸图



前面板I/O视图



后面板I/O视图



## 订货信息

No.	Model	Processor	Motherboard	IO Board	Memory	GPIO	LAN	COM	HD OUTPUT	USB3.0	SIM	power-input
1	C4350S-L4 V1.0(J4125)	J4125/2.0GHz	R41V	R36F-C2	1*SODDDR4	1* 6	4*1225V	2	1	4	1	DC 12V



无风扇工控机

所有产品规格变更，均不另行通知