

# C1581Y-C6

## 15.6英寸电容屏工业平板



### Product characteristics

- 15.6-inch widescreen LCD, 1920\*1080, capacitive touch screen
- Integrated Intel®i5-4310U/2.00GHz dual-core quad-thread processor
- 1\*SODIMM DDR3L 1600MHz memory, up to 8GB
- 1\*HD OUTPUT
- 2\*Intel I210AT Gigabit network adapter
- 6\*RS232 serial port, COM1~2 RS232 DB9 serial port, COM2 supports RS485/422, COM3~6 RS232/485/422 on the 2\*15P Phoenix terminal
- 2\*15Pin Phoenix terminal, including four in four out GPIO, 4\*COM
- 2\*USB3.0, 2\*USB2.0
- 9~36V wide voltage input

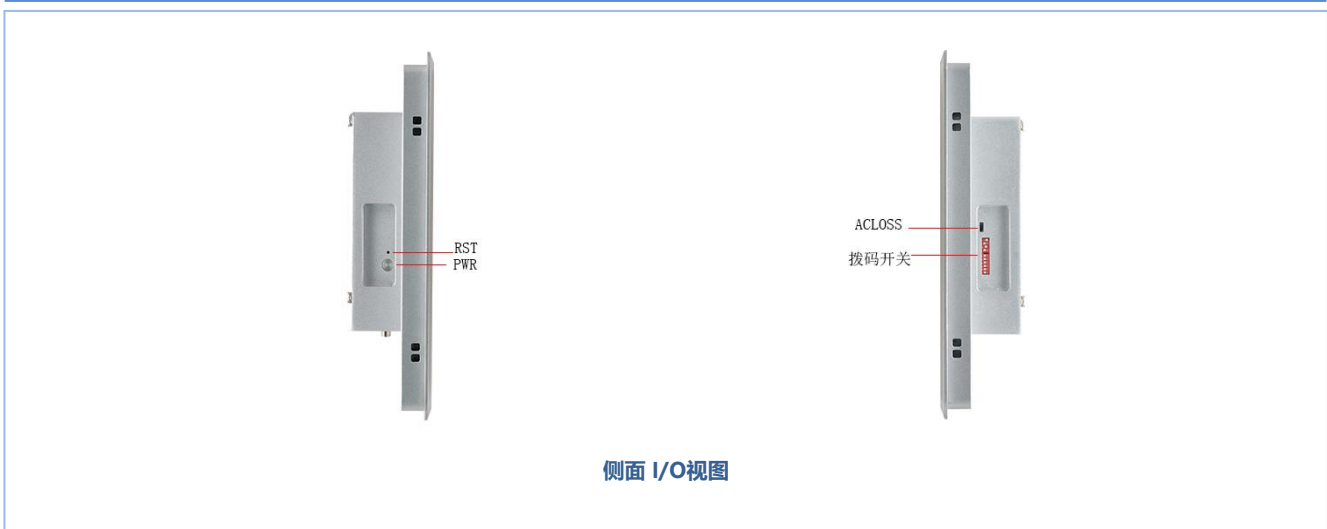
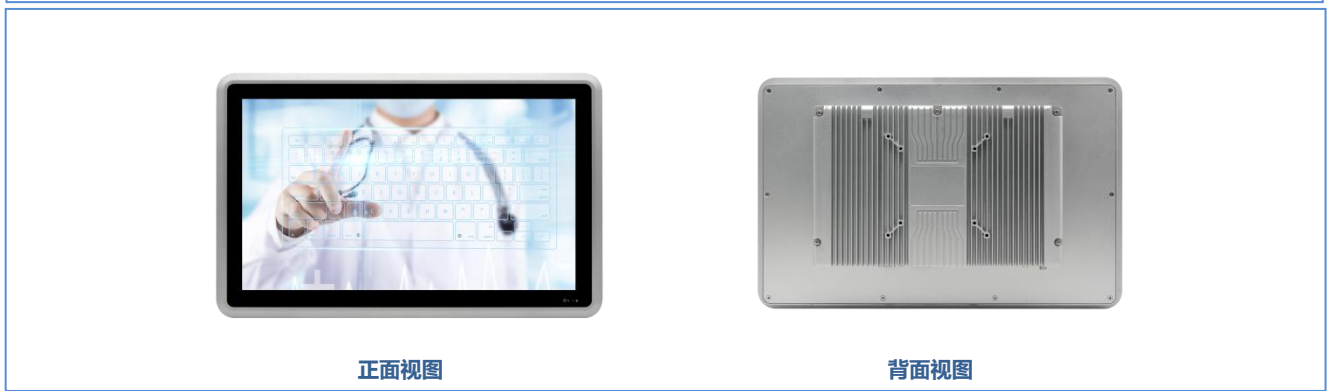
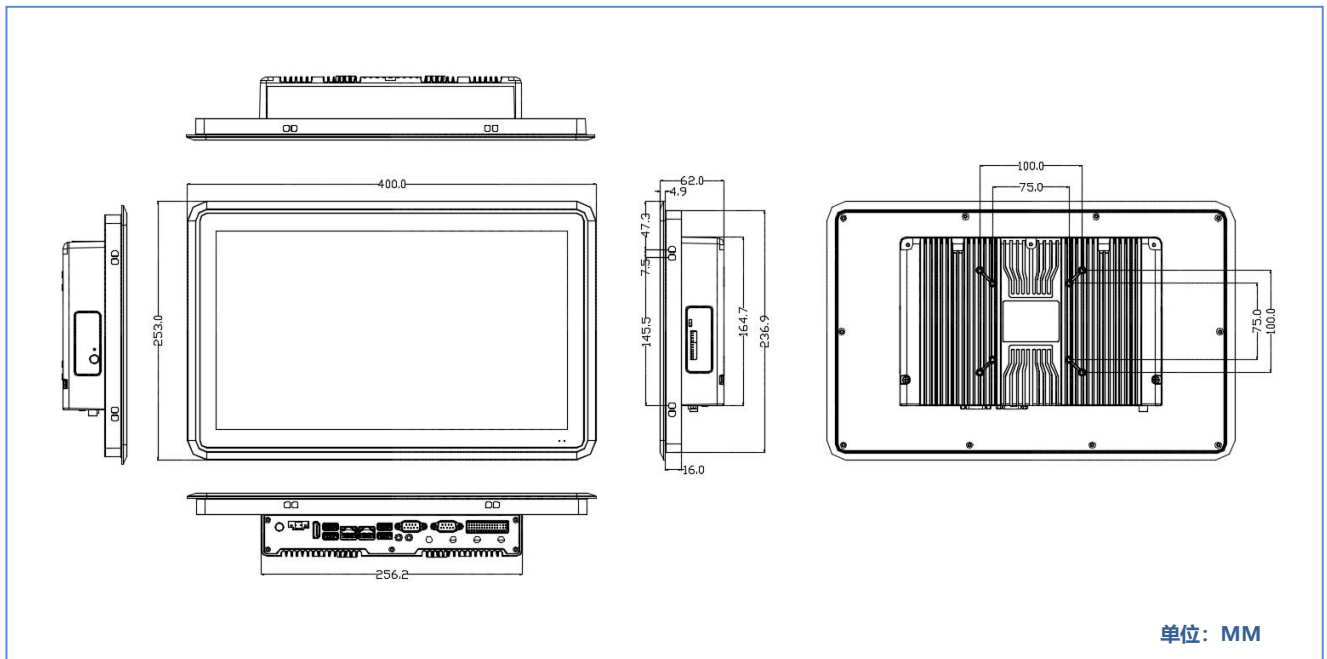
Model number	C1581Y-C6 V1.0(4310U)	
chassis	Material/Structur	Aluminum alloy material, fanless cooling structure
	colour	silver
	Dimensions	L400*W253*H62mm
	Weight (bare	3.80 KG
	Install	Support VESA/ embedded panel installation
LCD screen	type	15.6-inch widescreen full HD
	Resolution	1920 * 1080
	luminance	250 cd/m2
Touch screen	type	Capacitive screen, 10 touch
	Light	More than 85%
Main board	CPU	Integrated Intel®i5-4310U/2.00GHz dual-core quad-thread processor, TDP 15W
	reveal	Integrated Intel® HD Graphics 4400
	Internal memory	1 * DDR3L SODIMM slot, supporting 1600 MHZ memory and a maximum of 8GB
IO interface	POWER	1* Power button, 1* one key Restore, 1*ACLOSS (Power on DIP switch)
	LED	1* Power indicator, 1* hard disk indicator
	Display interface	1 * HD OUTPUT1.4
	LAN	2*Intel I210AT Gigabit network adapter, supporting network wake up and PXE
	USB	2 x USB3.0, 2 x USB2.0
	COM	6*RS232 serial port, COM1~2 RS232 DB9 serial port, of which COM2 supports RS485/422, COM3~6 RS232/485/422 On the 2*15P Phoenix terminal, COM1-2
	Phoenix terminal	2*15Pin(4 in 4 out GPIO, switching signal, COM3~COM6 (RS232/RS485/422), 5V
	Dip switch	10-bit dip switch, COM2~6 RS232/485/422 switch
	Audio frequency	1*Line out, 1*MIC
	Power source	1*DC aviation interface or 1*2Pin Phoenix terminal, support 9V~36V wide voltage
store	SATA	1* 2.5-inch hard disk
	MSATA	1*MSATA
extend	M.2	1*M.2/WiFi, supports Key-E, 2230, WiFi module
		1*M.2/5G, supports Key-B, 2242/52, 5G modules
System support	Windows	Windows 7
	Linux	Ubuntu
	Watch Dog	Support hardware reset function (256 level, 0~255 seconds)
Power demand	Power supply	External power adapter
	Voltage input	9V~36V wide voltage
	Power output	36W~90W (depending on the equipment)
environment	Operating	-10°C to 50°C
	Storage	-20°C to 70°C
	Relative humidity	5%-95% relative humidity, no condensation
	Working vibration	0.5g rms/5-500HZ/random/operating

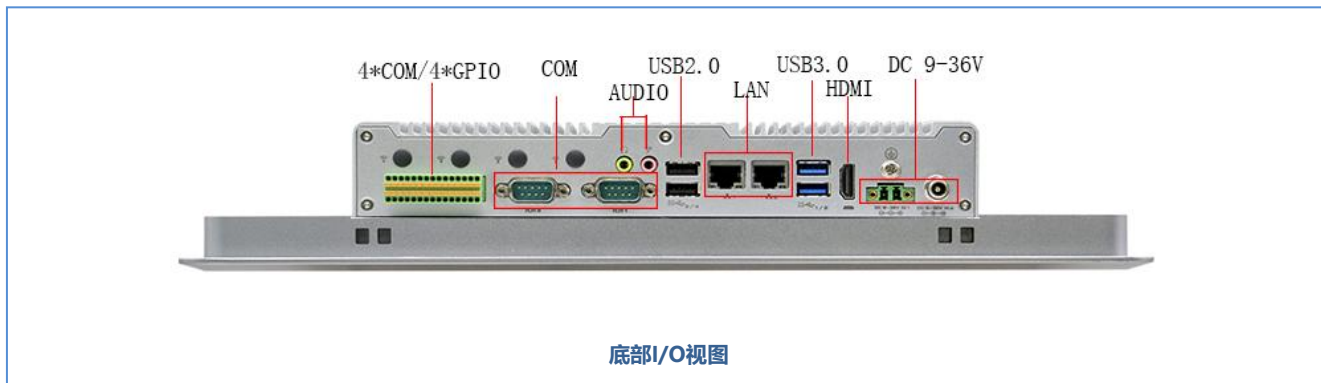


工业平板

所有产品规格变更, 均不另行通知

# C1581Y-C6尺寸图





## 订货信息

No.	Model	CPU	Memory	Motherboard	IO Board	GPIO	LAN	COM	HD OUTPUT	USB 2.0	USB 3.0	power
1	C1581Y-C6 V1.0(J1900)	J1900/2.0G	1*SODDR3L	C19	P1071-C6/P1071-LED	4 in 4 out	2	6	1	3	1	9~36V
2	C1581Y-C6 V1.0(4310U)	I5-4310U/2.0G	1*SODDR3L	C43	P1071-C6/P1071-LED	4 in 4 out	2	6	1	2	2	9~36V
3	C1581Y-C6 V1.0(4600U)	I7-4600U/2.1G	1*SODDR3L	C43	P1071-C6/P1071-LED	4 in 4 out	2	6	1	2	2	9~36V

NOTE: 1、不支持亮度调节，默认最大亮度，

2、一键还原与复位键二选一，默认一键还原，部分CPU不支持一键还原，具体联系FAE，需要默认复位键，需更改硬件



工业平板

所有产品规格变更，均不另行通知