

P1071Y-C6

10.4英寸电容屏工业平板



Product characteristics

- 10.4-inch LCD, 800*600, capacitive touch screen
- Integrated Intel®i5-8260U/1.60GHz quad-core eight-thread processor
- 2*SODIMM DDR4 2400MHz memory, up to 64GB
- 1*HD OUTPUT
- 2*Intel I210AT Gigabit network adapter
- 6*RS232 serial port, COM1~2 RS232 DB9 serial port, COM2 support RS485/422, COM3~6 RS232 in 2*15P Phoenix terminal, COM3 support RS485
- 2*15Pin Phoenix terminal, four in four out GPIO4*COM, switch, 5V, GND
- 4*USB3.0, 2*USB2.0
- 9~36V wide voltage input
- Aluminum alloy material, fanless cooling structure

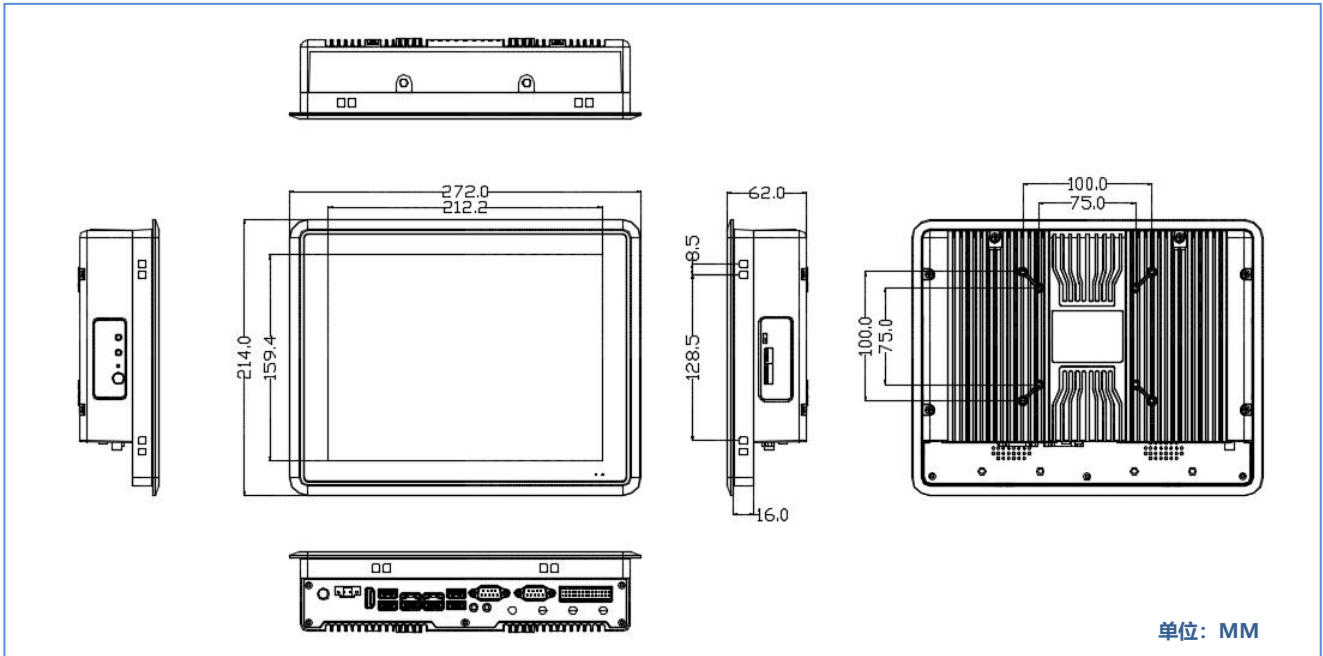
Model number	P1071Y-C6 V1.0(8260U)	
chassis	Material/Structur	Aluminum alloy mate
	colour	silver
	Dimensions	L272*W214*H62mm
	Weight (bare	2.63 KG
LCD screen	Install	Support VESA/ embedded panel installation
	type	10.4 inch LCD
	Resolution	800 * 600
	luminance	350 cd/m2
Touch screen	type	Capacitive screen, 10 touch
	Light	More than 85%
Main board	CPU	Integrated Intel®i5-8260U/1.60GHz quad-core eight-thread processor, TDP 15W
	reveal	Integrated Intel®UHD Graphics 620
	Internal memory	2 x DDR4 SODIMM 2400 MHZ memory, supports a maximum of 64GB
IO interface	POWER	1* Power button, 1* one key restore (and reset switch to choose one), 1*ACLOSS
	LED	1* Power indicator, 1* hard disk indicator
	Display interface	1 * HD OUTPUT1.4 (4096 * 2304 @ 24 hz)
	LAN	2*Intel I210AT Gigabit network adapter, supporting network wake up and PXE
	USB	4 x USB3.0, 2 x USB2.0
	COM	6*RS232 serial port, COM1 ~2 RS232 DB9 serial port, of which COM2 supports RS485/422, COM3-6 RS232 on the 2*15pin Phoenix terminal, of which COM3 supports RS485, COM4-2 supports the On-line function
	Phoenix terminal	2*15Pin(4 in 4 out GPIO, switching signal, COM3~COM6, 5V VCC and GND)
	Dip switch	10-bit dip switch, COM2 to 3 RS232/485 switch, COM2 RS422 through the
	Audio frequency	1*Line out, 1*MIC
Power source	1*DC aviation interface or 1*2Pin Phoenix terminal, support 9~36V wide voltage	
store	SATA	1 x 2.5-inch hard disk
	MSATA	1*MSATA
	M.2	1*M.2/SSD: Key-M, 2280, NVME PCIe x4 SSD
extend	M.2	1*M.2/WiFi, supports Key-E, 2230, WiFi module
	M.2	1*M.2/5G, supports Key-B, 2242/52, 5G modules
System support	Windows	Windows 10
	Linux	Ubuntu
	Watch Dog	Support hardware reset function (256 level, 0~255 seconds)
Power demand	Power supply	External power adapter
	Voltage input	9V~36V wide voltage
	Power output	60W~90W (depending on the device)
environment	Operating	-10°C to 50°C
	Storage	-20°C to 70°C
	Relative humidity	5%-95% relative humidity, no condensation
	Working vibration	0.5g rms/5-500HZ/random/operating



工业平板

所有产品规格变更, 均不另行通知

P1071Y-C6尺寸图



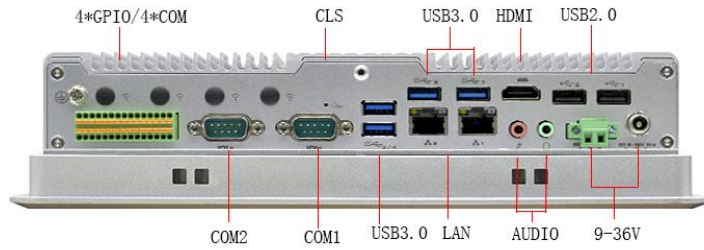
前面板视图



后面板视图



侧面 I/O 视图



底部I/O视图

订货信息

No.	Model	CPU	Memory	Motherboard	IO Board	GPIO	LAN	COM	HD OUTPUT	USB	power
1	P1071Y-C6 V1.0(J6412)	J6412/2.00G	2*SODDR4	P641	P1081-C6	4 in 4 out	2	6	1	6	9~36V
2	P1071Y-C6 V1.0(7300U)	I5-7300U/2.6G	2*SODDR4	P67	P1081-C6	4 in 4 out	2	6	1	6	9~36V
3	P1071Y-C6 V1.0(8260U)	I5-8260U/1.6G	2*SODDR4	P81	P1081-C6	4 in 4 out	2	6	1	6	9~36V
4	P1071Y-C6 V1.0(1135G7)	I5-1135G7/2.4G	2*SODDR4	P110	P1081-C6	4 in 4 out	2	6	1	6	9~36V

Note:1、一键还原与复位键二选一，默认一键还原，部分CPU不支持，具体联系FAE，需要复位键，要改硬件。
 2、COM2 支持RS232/482/422，RS422的切换通过跳帽COM1_SW1实现，跳帽在IO板上